

135° TOWING LIGHT, SINGLE, VERTICALLY MOUNTED

2 nautical miles 201-013V (<50m / <164')
3 nautical miles 301-107 (>50m / >164')

This LED navigation light consists of a single high-power LED that produces light in the specified angle utilizing special designed PMMA light guides.

The precision machined 6082 aluminium housing with an anodized surface makes the light a rugged and durable housing for the LEDs and electronics contained within.

The interior is completely filled with a special potting resin making it water- and vibration proof.

Produced in our in-house manufacturing facility to meet and exceed exacting standards such as EN14744 and UL1104, under a quality management system continuously surveyed by Lloyds Register Quality Assurance.

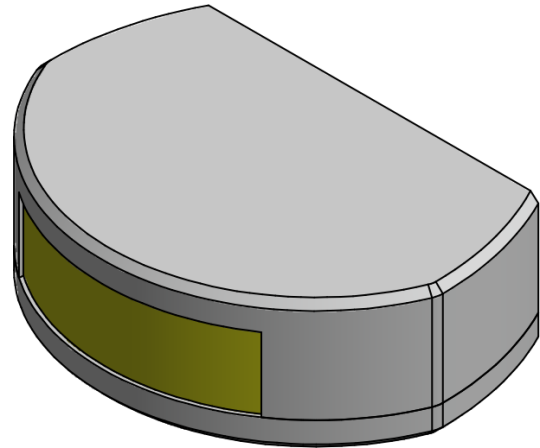
Each light is subjected to final testing for a minimum of 16 hours of continuous operation bringing the total test time beyond 24 hours.

This navigation light is in compliance with the following standards:

- COLREG72
- EN14744
- IEC 60945
- USCG (UL1104)

Together with an appropriate Control & Monitoring System, such as Lopolight's own NLC* this navigation light can form part of an IMO MSC 253(83), LY3 and LY4 compliant system.

*) information found here: www.lopolight.com/NlcPanel



Technical specifications**201-013V;**

Vessel size: <50m (<164')
Visibility: >2 nautical mile
Intensity: >5,4cd
Power consumption: Pending

301-107;

Vessel size: >50m (>164')
Visibility: >3 nautical miles
Intensity: >15cd
Power consumption: Pending

Operating voltage: 10 - 32 VDC
Number of LEDs: 1
Light colour: **Yellow**
Operating temperature: -25°C to +55°C
IP rating: **IP68**
Mounting: **Vertical**

Connection: 1 cable consisting of 2 x 0,5 mm² leads, a screen and insulation.

- Red lead = Power
- Black lead = GND

Certification: Pending

The product is in compliance with the following standard(s):
COLREG72/ EN14744 / IEC 60945 / USCG (UL1104)

Dimensions: **See drawing**
Weight: **0,61kg**

Warranty:

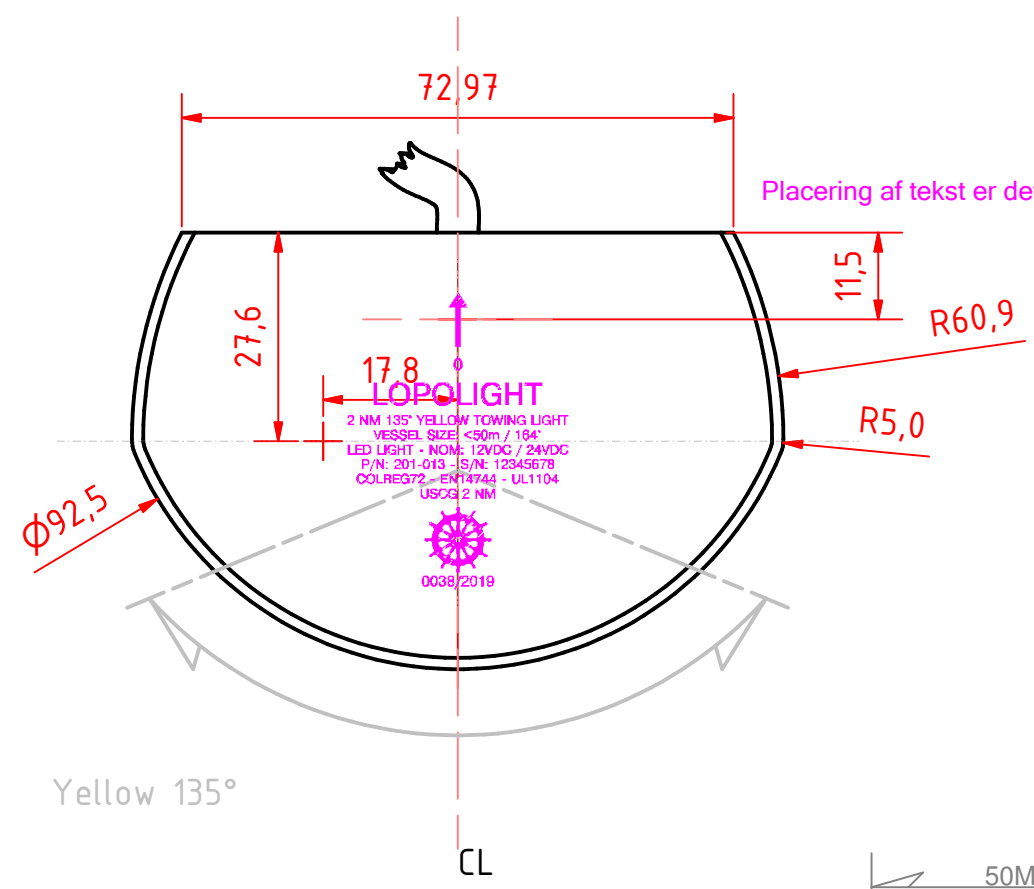
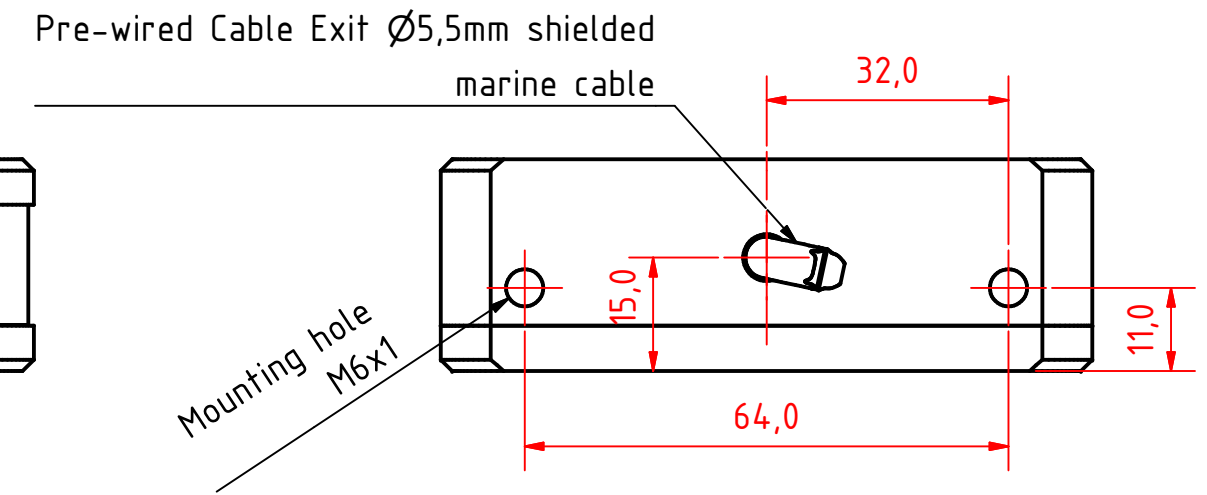
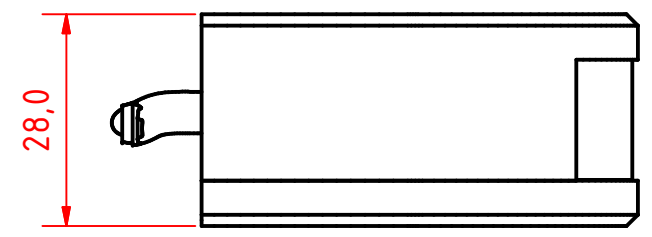
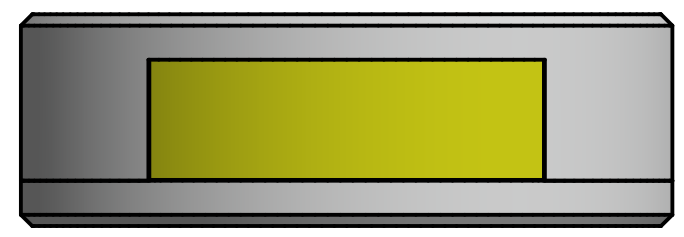
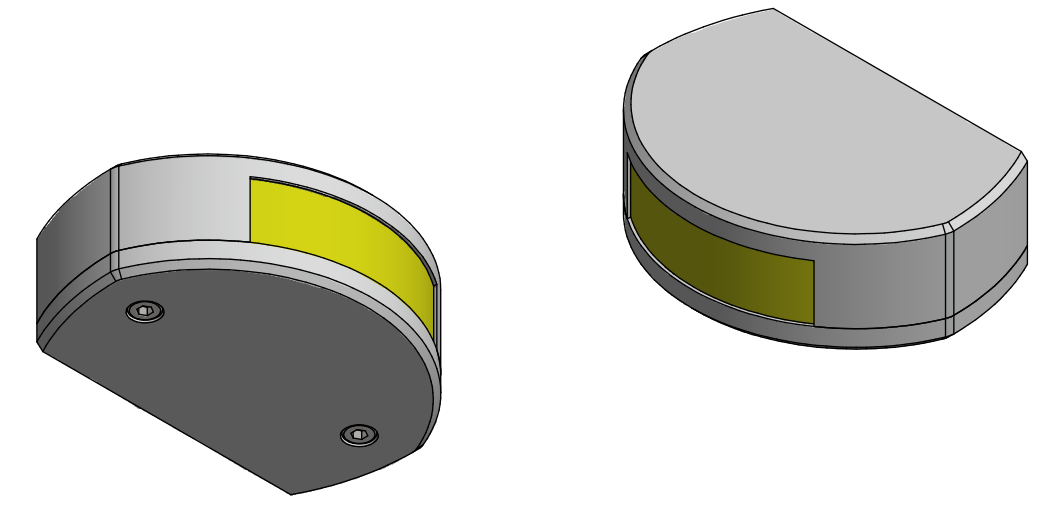
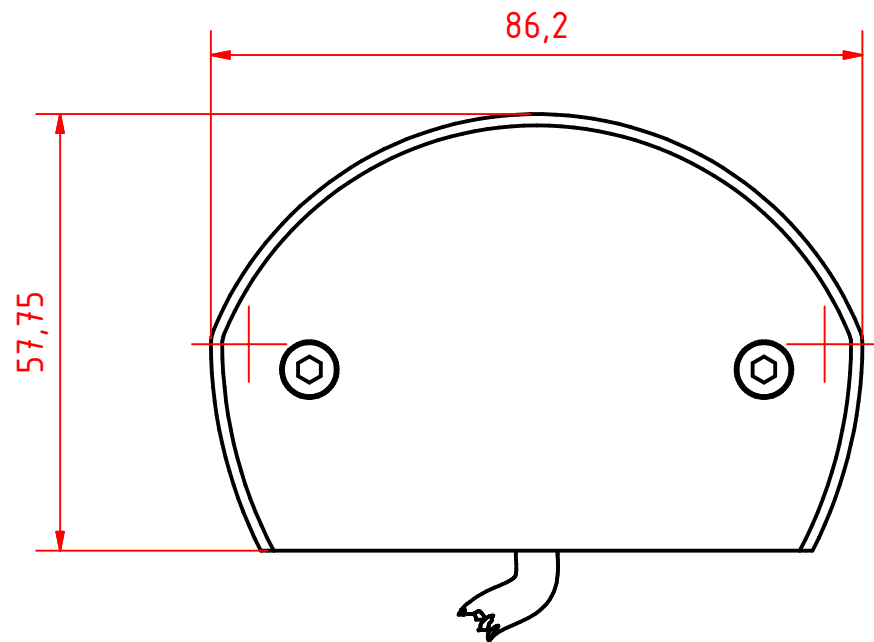
Lopolight products are covered by a 5-year limited warranty.
Warranty conditions can be found on www.lopolight.com/Home/Service

Included in standard package:

- 1 pc. Navigation light, pre-cabled with 2,5m marine grade cable
- 2 pcs. Mounting screws (M6 x 8 mm)
- Installation instructions

Ordering information

VISIBILITY	CABLE LENGTH	PART NUMBER SILVER FINISH	PART NUMBER BLACK FINISH
2 nautical miles	2,5m / 8.2' (standard)	201-013V	201-013V-B
3 nautical miles	2,5m / 8.2' (standard)	301-107	301-107-B



201-013V 2nm stern towing Vertical Mount

DRAWING NO.: 201-013AC	REV. NO.: 0	SIZE: A3	DRAWN BY: Sergio
SCALE: 1:1	TOLERANCES: DS/ISO 2768-f	REVIEWED BY: PHC	CREATION DATE: 30-04-2018
MATERIAL DESCRIPTION: EN 6082, Acrylic			

LOPOLIGHT
 Lopolight ApS
 Bakkegaardsvej 513
 DK-3050, Humlebaek
 Denmark
 www.lopolight.com
 Tel:(+45) 32 48 50 30 Fax:(+45) 32 48 50 32
 info@lopolight.com

This Drawing, and the information within, is the property of Lopolight ApS and may not be used in any form without express permission there from. Lopolight reserves the right to change this drawing and assumes no liability for the information communicated herein. Use of dimensions and other information in this drawing is at the users own risk.

